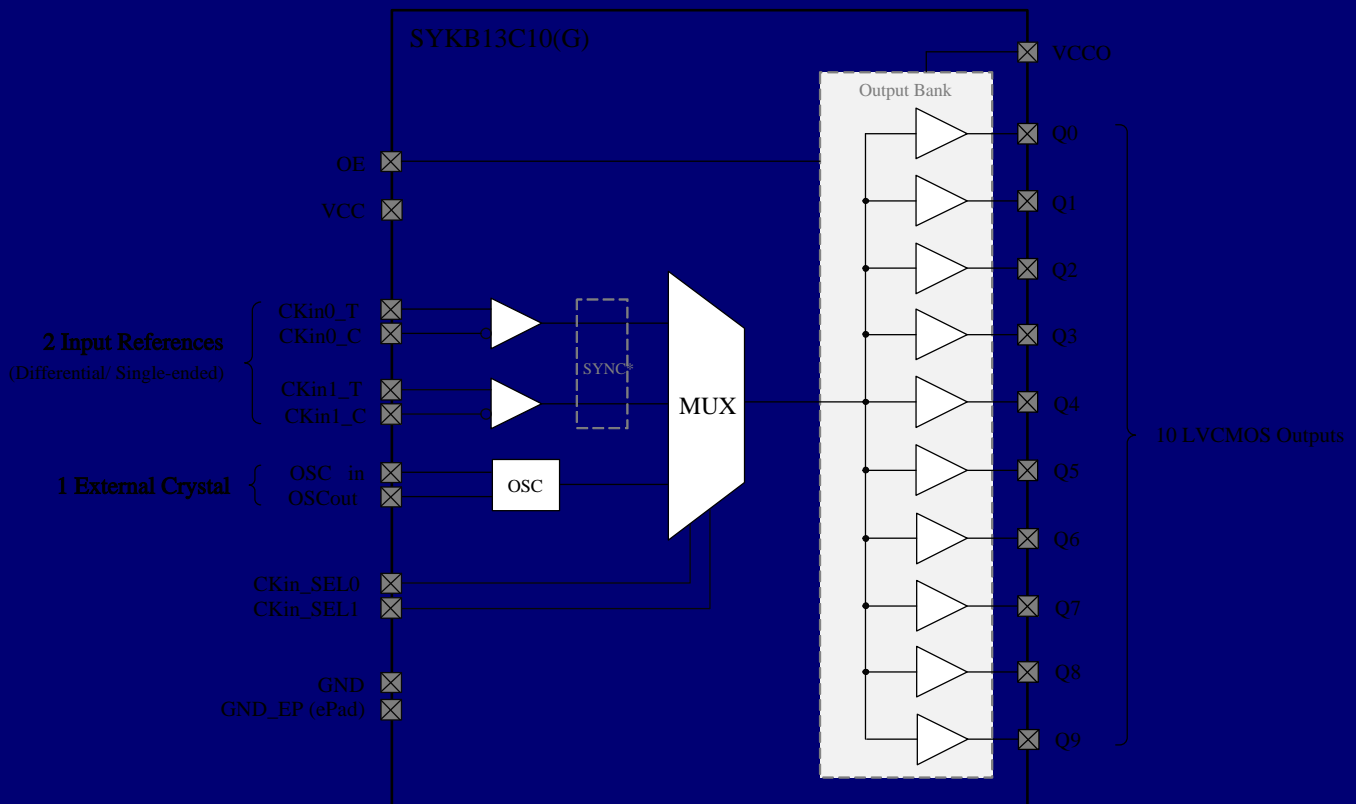


## Features

- **3 input reference clocks:**
  - Two differential clock pairs, supporting up to 350MHz for both differential and single-ended clock sources
  - One crystal input, accepting 8MHz to 50MHz crystal or single-ended clock source
- **10 output clocks:**
  - Ten independent LVCMOS output clocks in
  - One independent LVCMOS output clock
- **Frequency range:** LVCMOS: DC to 350MHz  
**Excellent PSRR** :-53dBc (LVCMOS)@156.25MHz  
**Ultra-low latency and skew**  
**Additive Jitter:**
  - – 34 fs RMS (12kHz to 20MHz) typical
  - @LVCMOS 156.25MHz
- **Configurable power supplies :**
  - Core: 1.8V-3.3V
  - Single-ended outputs

**Functional Block Diagram**



Note: Only the "G" (includes glitch-free switchover) version supports the synchronization function.

Part Number	Package	Operating Temperature
SYKB13C10	32-pin WQFN, 5.0mm x 5.0mm x 0.75mm	-40°C to +85°C
SYKB13C10G		

For more information on the product, please contact <https://www.yxc.hk/>