

## Real Time Clock Module ( I<sup>2</sup>C-BUS)

# YSN8111

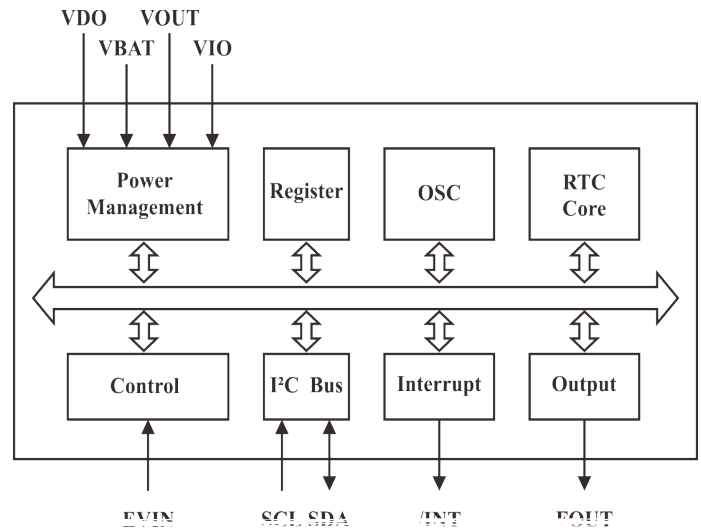
Time stamp function  
Low current consumption

YSN8111E(SMD 3225)

**Overview**

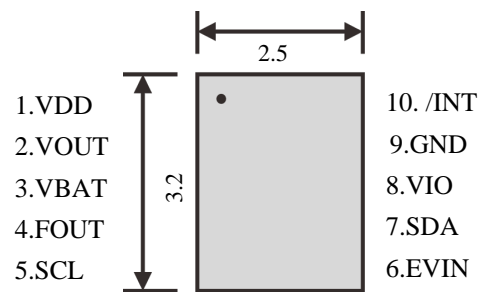
**Block diagram**

- Ultra-Low current consumption:250nA(Typ.)
- High stability:  $\pm 11.5\text{ppm} / \pm 23\text{ppm} @ 25$
- Power Supply Voltage: 1.6V~5.5V
- Operation Temperature Range: -40 ~+85
- Leap years auto correction
- Backup battery switchover function
- Timer output function with adjustable period
- Size:3.2mm × 2.5mm × 0.9mm
- Build-in Cystal: 32.768KHz
- Communication Interface: I2C bus
- RoHS2.0, REACH & Halogen-free compliant



**Pin Fuction**

**Terminal Connection**



YSN8111E (SMD 3225)

**Specifications (Characteristics)**

